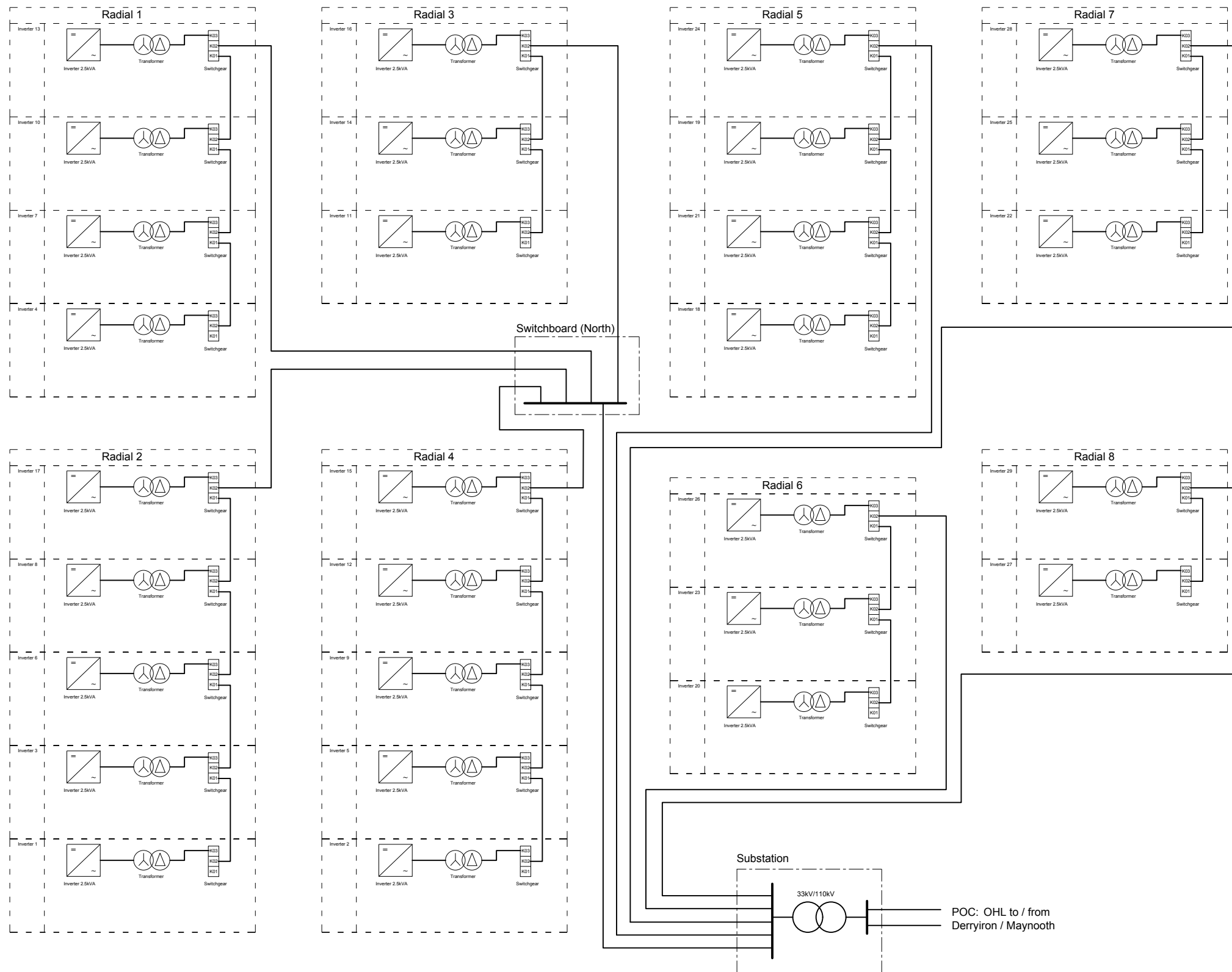


Notes:  
 1) Equipment selection & numbers shown are indicative and subject to change depending on onsite conditions and ESB requirements and final design.  
 2) Electrical equipment (inverter / transformer) to be subject to ESB/detailed electrical design specification



0	12.18	ISSUED FOR PLANNING	NK	NK	AD	DL
Rev	Date	Revision description	Drn	Prod	Ver	App
Client Approval			<input type="checkbox"/> Planning	<input checked="" type="checkbox"/> Tender	<input type="checkbox"/> Construction	<input type="checkbox"/> As-Built

**ESB INTERNATIONAL**  
 One Dublin Airport Central,  
 Dublin Airport, Cloughran, Co. Dublin  
 Tel: 353 1 703 8000 Email: marketing@esbi.ie  
 Web: www.esbinternational.ie  
 ESB International is a trading name of  
 ESBI Engineering & Facility Management Ltd.  
 Registered Office: as above  
 Registered in Ireland No. 155249

**Client**  
 ESB Wind Development Ltd and Bord na Móna Powergen Ltd

**Project**  
 Timahoe North Solar Farm

**Contract**

**Drawing title**  
 SLD - Block diagram

**Production unit**  
 ESB Wind Development

© COPYRIGHT © ESB INTERNATIONAL LIMITED  
 ALL RIGHTS RESERVED. NO PART OF THIS WORK MAY BE MODIFIED, REPRODUCED OR COPIED IN ANY FORM OR BY ANY MEANS  
 GRAPHIC, ELECTRONIC OR MECHANICAL, INCLUDING PHOTOCOPYING, RECORDING, TAPING OR USED FOR ANY PURPOSE  
 OTHER THAN ITS DESIGNATED PURPOSE, WITHOUT THE WRITTEN PERMISSION OF ESB ENGINEERING & FACILITY  
 MANAGEMENT LTD., TRADING AS ESB INTERNATIONAL.

Drawn NK	Produced NK	Verified AD	Approved DL	Approval date 04/12/2018
Client ref. 00 - 00		No. of sheets 1	Size A3	Scale NTS
Drawing number QS-000218-01-D605-010				SHEET   REV